

SMP 4G LTE MiMo

**Indoor-Outdoor Compact Directional Multi-Band
(4G - LTE , W/Lan 2.4)**



MAIN FEATURES

- Very compact directional panel antenna
- 2x wide band elements in single case
- Suitable for indoor and outdoor use
- Working on 4G LTE specially conceived for MiMo systems
- Easy and quick installation on the mast or on the wall
- Fully designed & Manufactured in Italy

SPECIFICATIONS

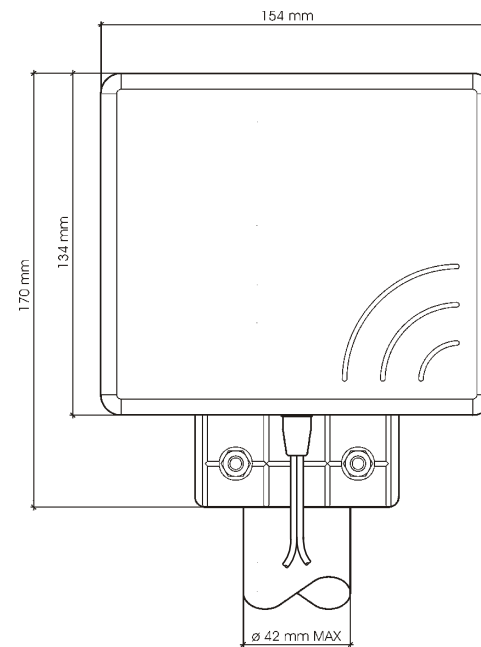
Electrical Data

Type	Directional mini panel - 2 wideband elements
Frequency Range	790-960 MHz & 1710-2700 MHz @ SWR 2
Impedance	50
Half Power Beam Width	see Typical Radiation Patterns
Polarization	Linear Vertical
Max gain	5 dBi @ 790-960 MHz 8 dBi @ 1710-2700 MHz
Front to back ratio	10 dB @ 790-960 MHz 15 dB @ 1710-2700 MHz
Correlation coefficient	< 0.1 for all bands
Element Isolation	10 dB @ 790-960 MHz 15 dB @ 1710-2700 MHz
Max Power @ 30°C ambient	20 Watts (CW) @ 790-960 MHz 8 Watts (CW) @ 1710-2700 MHz
Cable Type / Length	2 x RG316 / 30 cm
Connector	2 x SMA-male (other type on request, acc min q.ty)

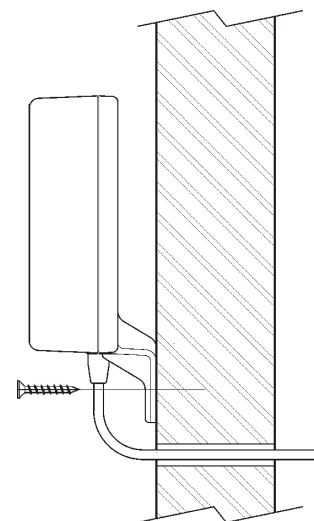
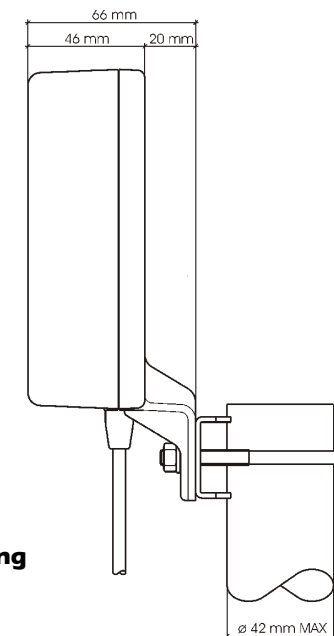
Mechanical Data

Materials	RAL 7035 Light Grey thermoplastic UV stabilized, galvanized steel
Wind Load @150 km/h	40 N
Wind Resistance	180 Km/h
Wind Surface	0.02 m ²
Operating temperature	-40°C to + 80°C
Dimensions (approx.)	154 x 134 x 46 mm without bracket
Weight (approx.)	420 gr
Installation Type	Mast: 25-42 mm with U-bolt (included) Wall: mounting screw (not included)

MOUNTING INSTRUCTIONS



Mast mounting



Wall mounting
(screws not included)



Optional tilting bracket
Mast: 35-50 mm with clamp included
Wall: with mounting screws (not included)



SIRIO
antenne

HI-QUALITY ANTENNAS MADE IN ITALY